

# LED 150W Spot Moving Head



CE   IP20 LED  0.2m  t<sub>a</sub> 40°C t<sub>c</sub> 150°C

# User Manual

# 1

## SAFETY INSTRUCTIONS



### CAUTION

Be careful with your operations. With a dangerous voltage you can suffer a dangerous electric shock when touching wires!

This device has left the factory in perfect condition. In order to maintain this condition and to ensure a safe operation, it is absolutely necessary for the user to follow the safety instructions and warning notes written in this user manual.



### IMPORTANT

Damages caused by the disregard of this user manual are not subject to warranty. The dealer will not accept liability for any resulting defects or problems.

If the device has been exposed to temperature changes due to environmental changes, do not switch it on immediately. The arising condensation could damage the device.

Leave the device switched off until it has reached room temperature.

This device falls under protection-class I. Therefore it is essential that the device be earthed.

The electric connection must carry out by qualified person.

The device shall only be used with rated voltage and frequency.

Make sure that the available voltage is not higher than stated at the end of this manual.

Make sure the power cord is never crimped or damaged by sharp edges. If this would be the case, replacement of the cable must be done by an authorized dealer.

Always disconnect from the mains, when the device is not in use or before cleaning it. Only handle the power cord by the plug. Never pull out the plug by tugging the power cord.

During initial start-up some smoke or smell or smell may arise. This is a normal process and does not necessarily mean that the device is defective, it should decrease gradually.

Please don't project the beam onto combustible substances.

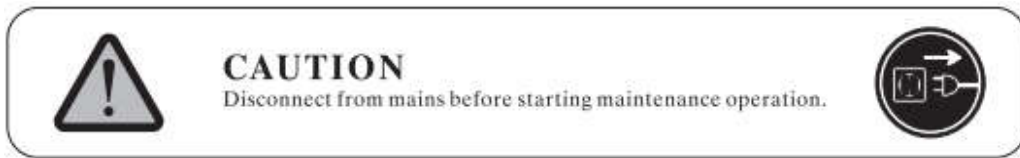
Fixtures cannot be installed on combustible substances, keep more than 50cm distance with wall for smooth air flow, so there should be no shelter for fans and ventilation for heat radiation.

If the external flexible cable or cord of this luminaire is damaged, it shall be exclusively replaced by the manufacturer or his service agent or a similar qualified person in order to avoid a hazard.

must not be corroded.

- 2) There must not be any deformations on the housing, color lenses, fixations and installation spots (ceiling, suspension, trussing).
- 3) Mechanically moved parts must not show any traces of wearing and must not rotate with unbalances.
- 4) The electric power supply cables must not show any damage, material fatigue or sediments.

Further instructions depending on the installation spot and usage have to be adhered by a skilled installer and any safety problems have to be removed.



In order to make the lights in good condition and extend the life time, we suggest a regular cleaning to the lights.

- 1) Clean the inside and outside lens each week to avoid the weakness of the lights due to accumulation of dust.
- 2) Clean the fan each week.
- 3) A detailed electric check by approved electrical engineer each three month, make sure that the circuit contacts are in good condition, prevent the poor contact of circuit from overheating.

We recommend a frequent cleaning of the device. Please use a moist, lint-free cloth. Never use alcohol solvents.

There are no serviceable parts inside the device. Please refer to the instructions under "Installation instructions".

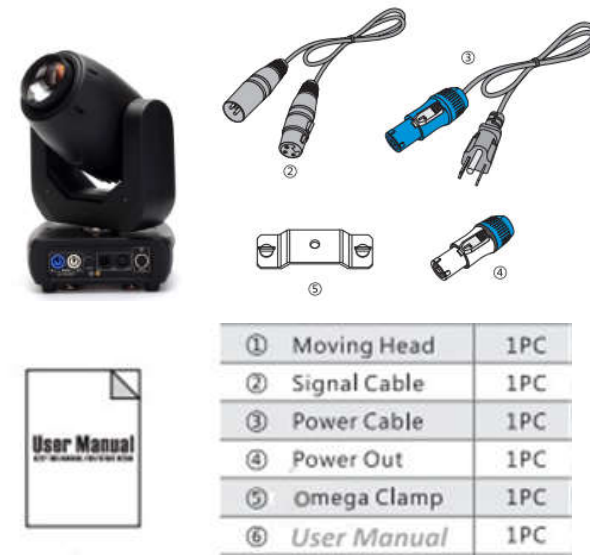
Should you need any spare parts, please order genuine parts from your local dealer.

## 2 UNPACKING

Thank you for choosing our LED 150W moving head light. For your own safety, please read this manual before installing the device. This manual covers the important information on installation and applications. Please install and operate the fixture with following instructions. Meanwhile, please keep this manual well for future needs.

The LED 150W is made of a new type of high temperature strength of engineering plastic and cast aluminum casing with nice outlook. The fixture is designed and manufactured strictly following CE standards, complying with international standard DMX512 protocol. It's available independently controlled and linkable with each other for operation. And it is applicable for large-scale live performances, theater, studio, nightclubs and discos.

The 150W Moving head light which features high brightness and stability. Please carefully unpack it when you receive the fixture and check whether it is damaged during the transportation. And please check whether the following items are included inside the box:



①	Moving Head	1PC
②	Signal Cable	1PC
③	Power Cable	1PC
④	Power Out	1PC
⑤	Omega Clamp	1PC
⑥	User Manual	1PC

# 3

## FEATURES & SPECIFICATIONS

### Features

- 150W High Output White LED
- 50,000 hours lifespan and low power consumption
- Beam Angle 15°, focus function
- High light output, 3450LUX@5M at White light
- Temperature protect function, when the internal Temperature is up to 40° and then the fans begin to work, when the internal temperature is up to 70°and the brightness reduce half.
- Color Wheel: 7 colors +white, rotation with variable direction and speed
- 1 static Gobo Wheel: 8 gobos +white, wheel rotation and shake
- 1 Rotation Gobo Wheel: 6 gobos +white, wheel rotation and shake
- Prism: 3-facet Prism, bi-directionally rotatable at variable speeds
- High speed strobe effect with 1-25 flashers per second
- Internal program available
- 16/14/12/10 DMX Channels USITT DMX-512
- DMX 512, master-slave and sound activated controllable or auto operation
- Colorful LCD display
- Efficient low noise fan cooling system
- POWERCON IN/OUT
- 3-pin XLR connectors IN/OUT
- Two 1/4 turn fastening Omega Clamps
- IP 20 protection rating

### Specifications

Input Voltage: AC90-260V 50/60Hz  
 Light Source: 150W High Output White LED  
 Control Signal: DMX 512, master-slave and sound activated or auto operation  
 Control Channel: 16/14/12/10 DMX Channels USITT DMX-512  
 Power Consumption: 250W

					136-155	Gobo Rotating 0-180
					156-175	Gobo Rotating 0-720
					176-215	Gobo self-rotating CW from slow to fast
					216-255	Gobo self-rotating CCW rotating from slow to fast
CH8	CH10	CH10	CH12	Focus	0-255	Gobo hazy to clear
CH9	CH11	CH11	CH13	Prism	0-63	Open
					64-255	Prism In
CH10	CH12	CH12	CH14	Prism Rotation	0-15	Stop
					16-136	Rotate CW slow > fast
					137-255	Rotate CCW slow > fast
		CH13	CH15	self-setting Program	0-15	No action
					16-45	Internal running 1
					46-75	Internal running 2
					76-105	Internal running 3
					106-135	Internal running 4
					136-165	Internal running 5
					166-195	Internal running 6
196-255	Internal running 7					
		CH14	CH16	Reset	205-253	Reset

## 10 MAINTENANCE AND CLEANING

The following points have to be considered during the inspection:

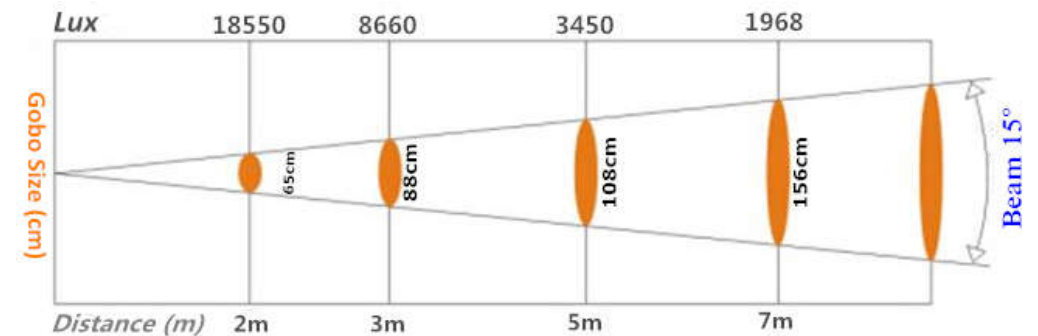
- 1) All screws for installing the devices or parts of the device have to be tightly connected and

				64-71	Gobo 8	
				72-79	Gobo 8 shake speed from slow to fast	
				80-87	Gobo 7 shake speed from slow to fast	
				72-79	Gobo 6 shake speed from slow to fast	
				80-87	Gobo 5 shake speed from slow to fast	
				88-95	Gobo 4 shake speed from slow to fast	
				96-103	Gobo 3 shake speed from slow to fast	
				104-111	Gobo 2 shake speed from slow to fast	
				112-119	Gobo 1 shake speed from slow to fast	
				120-127	Open	
				128-236	Gobo Rotate CCW slow to fast	
				237-255	Gobo Rotate CW slow to fast	
	CH8		CH10	6 rotation gobos +White	0-15	open
					16-31	Gobo1
					32-47	Gobo2
					48-63	Gobo3
					64-79	Gobo4
					80-95	Gobo5
					96-111	Gobo6
					112-191	Gobo Rotate CW slow to fast
					192-255	Gobo Rotate CCW slow to fast
	CH9		CH11	Gobo Rotation	0-15	open
					16-95	Gobo Fine 0-360
					96-135	Gobo Rotating 0-90

Dimensions: 270(D)\*270(W)\*470(H)mm  
Packing size: 305(D)\*305(W)\*500(H)mm  
Net Weight: 10.6kg, Gross Weight:12.6kg



#### 4 PHOTOMETRIC DATA



# 5

## OPERATION INSTRUCTIONS

- The moving head is for spot effect for on-site decoration purpose.
- Don't turn on the fixture if it's been through severe temperature difference like after transportation because it might damage the light due to the environment changes. So make sure to operate the fixture until it is in normal temperature.
- This light should be keep away from strong shaking during any transportation or movement.
- Don't pull up the light by only the head, or it might cause damages to the mechanical parts.
- Don't expose the fixture in overheat, moisture or environment with too much dust when installing it. And don't lay any power cables on the floor. Or it might cause electronics shock to the people.
- Make sure the installation place is in good safety condition before installing the fixture.
- Make sure to put the safety chain and check whether the screws are screwed properly when installing the fixture.
- Make sure the lens are in good condition. It's recommended to replace the units if there are any damages or severe scratch.
- Make sure the fixture is operated by qualified personnel who know the fixture before using.
- Keep the original packages if any second shipments is needed.
- Don't try to change the fixtures without any instruction by the manufacturer or the appointed repairing agencies.
- It is not in warranty range if there are any malfunctions from not following the user manual to operate or any illegal operation, like shock short circuit, electronic shock, lamp broke, etc.

# 6

## INSTALLATIONS

**Cautions:** For added protection mount the fixtures in areas outside walking paths, seating areas, or in areas were the fixture might be reached by unauthorized personnel.

CH2	CH2	CH3	CH3	Tilt	0-255	0-270°
		CH4	CH4	Tilt Fine	0-255	Tilt Fine
CH3	CH3	CH5	CH5	X, Y speed	0-255	From fast to slow
CH4	CH4	CH6	CH6	LED Dimmer	0-255	From dark to bright
CH5	CH5	CH7	CH7	LED Strobe	0-7	Turn off
					8-250	Strobe from slow to fast
					251-255	Turn on
CH6	CH6	CH8	CH8	7 color + White	0-15	White Lighting
					16-31	Color 1
					32-47	Color 2
					48-63	Color 3
					64-79	Color 4
					80-95	Color 5
					96-111	Color 6
					112-127	Color 7
CH7	CH7	CH9	CH9	8 Static Gobos + White	0-7	Open
					8-15	Gobo 1
					16-23	Gobo 2
					24-31	Gobo 3
					32-39	Gobo 4
					40-47	Gobo 5
					48-55	Gobo 6
					56-63	Gobo 7

## MENU

Address Set → [Set Address Numbers]

Run Mode → [DMX]  
 → [AUTO] → Auto 1- Auto10  
 → [SOUND]  
 → [MANUAL] → Manual Test → Function and Operation

Setup → [Advanced Setting]  
 → Pan reverse  
 → Tilt reverse  
 → Display  
 → Screen Reverse  
 → Channel (16/14/12/10CH Select)  
 → Sensitivity (01-100)  
 → Motor zero  
 → Reset  
 → Factory Set

System Information → Ver V1  
 → DMX Address  
 → Temperature

Before mounting the fixture to any surface, make sure that the installation area can hold a minimum point load of 10 times the device's weight.

Fixture installation must always be secured with a secondary safety attachment, such as an appropriate safety cable.

Never stand directly below the device when mounting, removing, or servicing the fixture.

From a ceiling, or set on a flat level surface (see illustration below). Be sure this fixture is kept at least 0.5m (1.5ft) away from any flammable materials (decoration etc.).

Always use and install the supplied safety cable as a safety measure to prevent accidental damage and/or injury in the event the clamp fails.

**Mounting points:** Overhead mounting requires extensive experience, including amongst others calculating working load limits, a fine knowledge of the installation material being used, and periodic safety inspection of all installation material and the fixture. If you lack these qualifications, do not attempt the installation yourself. Improper installation can result in bodily injury.

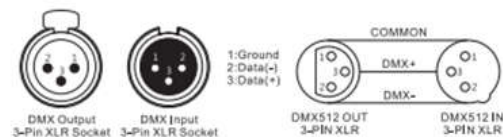
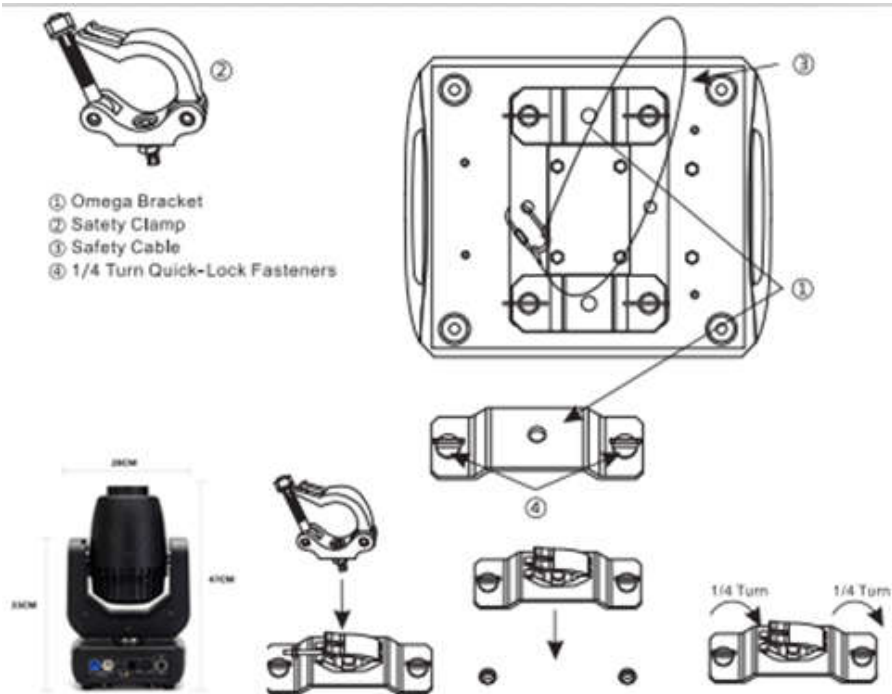
Be sure to complete all rigging and installation procedures before connecting the main power cord to the appropriate wall outlet.

**Clamp Mounting:** The LED moving head provides a unique mounting bracket assembly that integrates the bottom of the base, and the safety cable rigging point in one unit (see the illustration below). When mounting this fixture to truss be sure to secure an appropriately rated clamp to the included omega bracket using a M10 screw fitted through the center hole of the "omega bracket". As an added safety measure be sure to attached at least one properly rated safety cable to the fixture using on of the safety cable rigging point integrated in the base assembly.

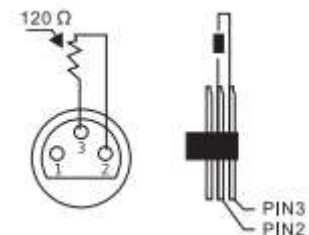
## 9 DMX CHANNELS

### 16/14/12/10/ channel mode sheet

CH10	CH12	14CH	16CH	Function	Channel Value	Discription
CH1	CH1	CH1	CH1	Pan	0-255	0-540°
		CH2	CH2	Pan fine	0-255	Pan Fine



For installations where the DMX cable has to run a long distance or is in an electrically noisy environment, such as in a discotheque, it is recommended to use a DMX terminator. This helps in preventing corruption of the digital control signal by electrical noise. The DMX terminator is simply an XLR plug with a 120 Ω resistor connected between pins 2 and 3, which is then plugged into the output XLR socket of the last fixture in the chain. Please see illustrations



below.

Regardless of the rigging option you choose for your LED moving head, always be sure to secure your fixture with a safety cable. The fixture provides a built-in rigging point for a safety cable on the hanging bracket as illustrated above. Be sure to only use the designated rigging point for the safety cable and never secure a safety cable to a carrying handle.

## 7 DMX-512 CONTROL CONNECTIONS

Connect the provided XLR cable to the female 3-pin XLR output of your controller and the other side to the male 3-pin XLR input of the moving head. You can chain multiple moving head together through serial linking. The cable needed should be two core, screened cable with XLR input and output connectors. Please refer to the diagram below.

## 8 MENU OPERATIONS

